

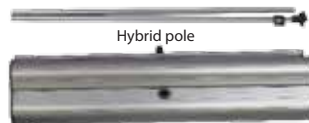
# Orient 1

BSori800-S-4      BSori800-B-4  
 BSori850-S-4      BSori850-B-4  
 BSori920-S-4      BSori920-B-4  
 BSori1000-S-4      BSori1000-B-4

The Orient is a simplistic and elegantly designed banner stand. It is finished in anodized silver or black with heavy duty molded end caps. Padded carry bag is included.



Available in black



Hybrid pole



Carry bag included

## features and benefits:

- Four width options
- Variable graphic height: 60" - 83.25"
- Hybrid bungee/ telescoping pole with toolless quick rail
- Adjustable feet on base
- Anodized silver and black base options
- Molded end caps
- Supplied with a padded carry bag with strap

## dimensions:

### Hardware

#### Assembled unit:

800mm: 32.68"w x 84.75"h x 7.08"d  
 830mm(w) x 2153(h) x 180mm(d)

850mm: 34.65"w x 84.75"h x 7.08"d  
 880mm(w) x 2184mm(h) x 180mm(d)

920mm: 37.49"w x 84.75"h x 7.08"d  
 952mm(l) x 2153mm(h) x 180mm(d)

1000mm: 40.55"w x 84.75"h x 7.08"d  
 1030mm(w) x 2152mm(h) x 180mm(d)

#### Base dimensions:

800mm: 32.68"w x 3.15"h x 7.08"d  
 830mm(w) x 80mm(h) x 180mm(d)

850mm: 34.65"w x 3.15"h x 7.08"d  
 880mm(w) x 80mm(h) x 180mm(d)

920mm: 37.49"w x 3.15"h x 7.08"d  
 952mm(w) x 80mm(h) x 180mm(d)

1000mm: 40.55"w x 3.15"h x 7.08"d  
 1030mm(w) x 80mm(h) x 180mm(d)

### Graphic

Refer to related graphic template for more information.

**WARNING:** Always attach graphic to base and top rail before removing the locking pin. After fitting, the graphic should be left for 24 hours before use to ensure the adhesive bonds sufficiently. Opening the base will invalidate the product warranty.

### Shipping

#### Shipping dimensions - ships in one box

800mm: 38"l x 9"h x 5"d  
 965mm(l) x 229mm(h) x 127mm(d)

850mm: 38"l x 9"h x 5"d  
 965mm(l) x 229mm(h) x 127mm(d)

920mm: 42"l x 9"h x 5"d  
 1067mm(l) x 229mm(h) x 127mm(d)

1000mm: 45"l x 9"h x 5"d  
 1143mm(l) x 229mm(h) x 127mm(d)

#### Approximate shipping weight (w/o graphic):

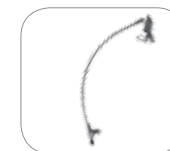
800mm: 11 lbs / 4.9 kgs  
 850mm: 11 lbs / 4.9 kgs  
 920mm: 13 lbs / 5.9 kgs  
 1000mm: 14 lbs / 6.35 kgs

## additional information:

### Graphic materials:

anti-curl vinyl, premium opaque fabric, melinex

Lumina 2 and LED Spot banner lighting option available



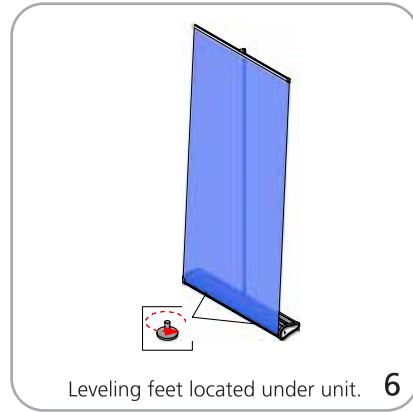
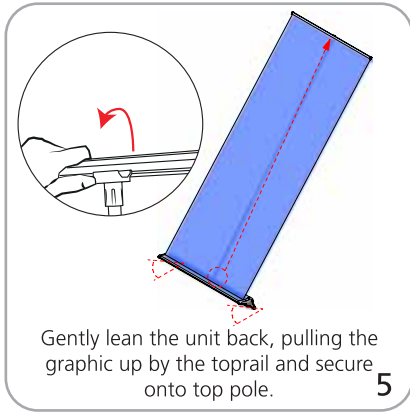
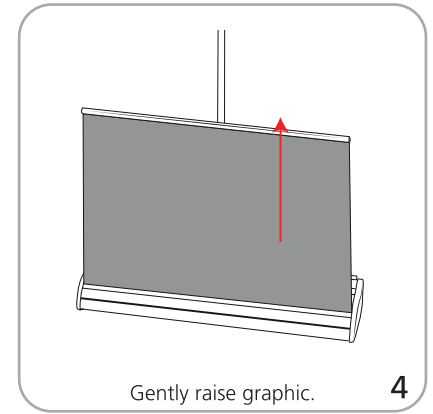
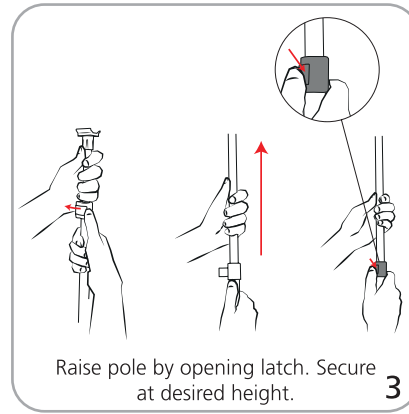
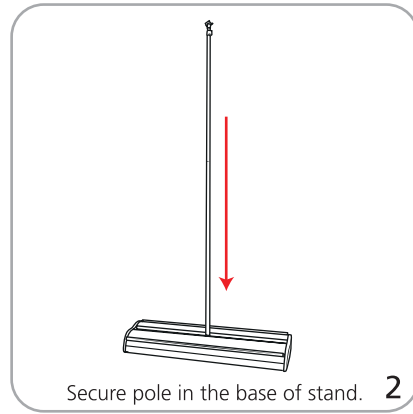
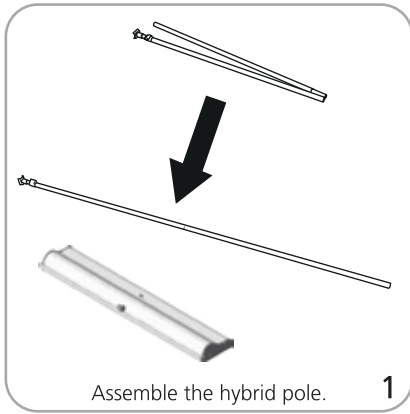
Lumina 2



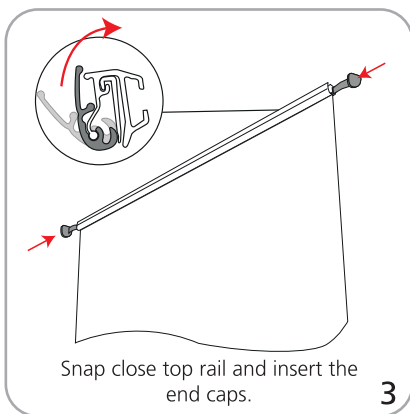
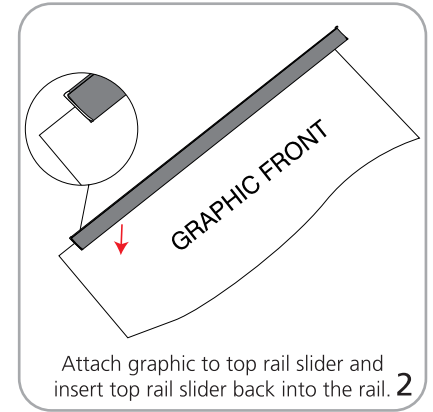
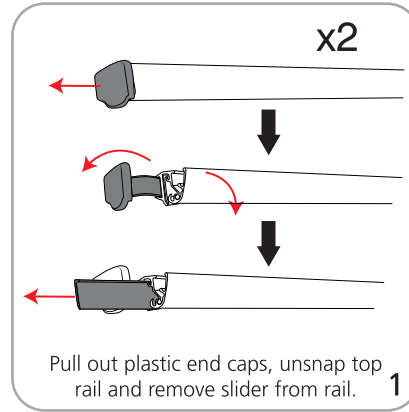
LED Spot

We are continually improving and modifying our product range and reserve the right to vary the specifications without prior notice. All dimensions and weights quoted are approximate and we accept no responsibility for variance. E&OE. See Graphic Templates for graphic bleed specifications.

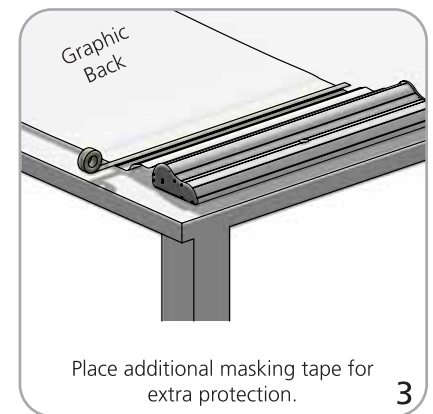
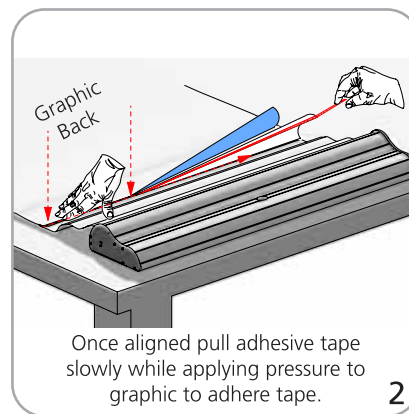
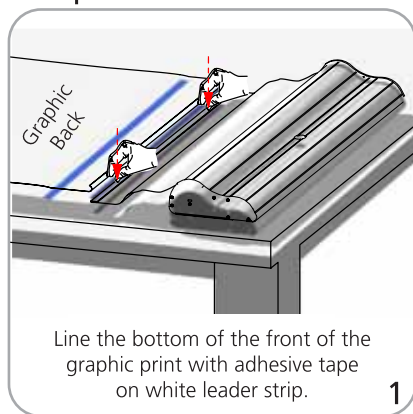
## Orient 1 set-up

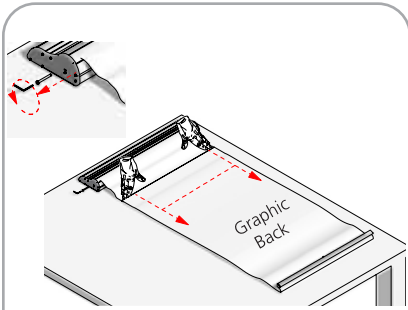


## Graphic to top rail attachment



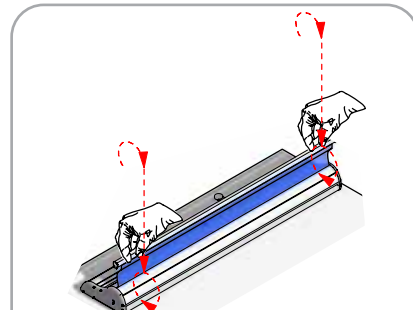
## Graphic to base attachment





Remove pin while holding onto the graphic so the graphic does not retract back in quickly.

4



Slowly retract the graphic back into the base.

5